

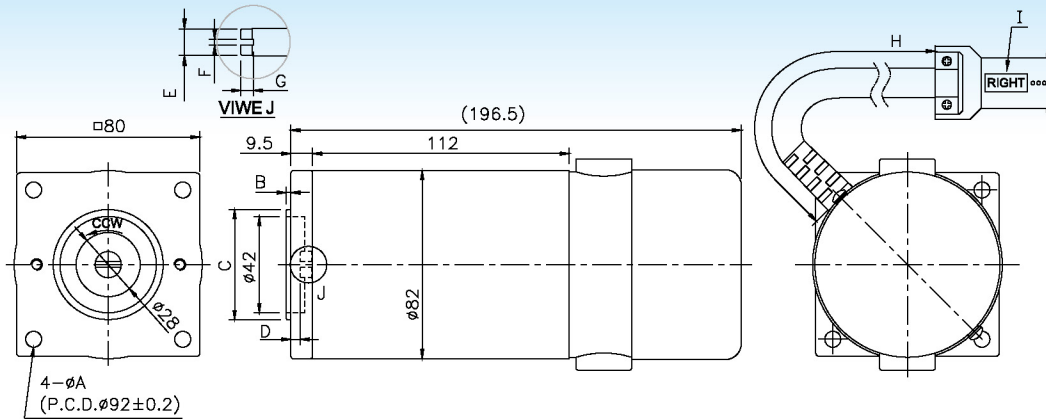
ELECTRICAL WHEELCHAIR SERIES

SPECIFICATION

Model		ME082112			
		01	02	03	04
Rated Voltage (V)		24.0			
No Load Current (A)		2.5	2.5	2.5	3.0
No Load Speed (rpm)		3750	3900	4250	4600
Rated Point	Torque (kg-cm)	7.0	7.0	7.0	7.0
	Current (A)	12.0	13.0	13.5	16.0
	Speed (rpm)	3350	3550	3900	4200
	Power (W)	241	255	280	302
Max. Output Power	Torque (kg-cm)	39.0	33.0	46.5	40.0
	Current (A)	65.0	55.0	87.5	81.0
	Speed (rpm)	1900	1950	2100	2300
	Power (W)	761	661	1003	945
Noise		60dB / (Background 45dB)			
Insulation Classification		F Class (150°C)			
Operating Temperature		-10~40°C			
Weight (kg)		3.5			

● To customize motors, please contact with us or our agent.

DIMENSION



MOTOR OUTLINE

DIM.	ME082112
A	φ 7
B	2.0
C	φ 48 ^{-0.01} _{-0.05}
D	3.5 ± 0.2
E	11.5 ⁺⁰ _{-0.02}
F	2.5 ^{+0.1} ₋₀
G	5.5 ^{+0.2} ₋₀
H	Assigned by customer
I	1461-G1 YA-5403 GCN0709 HL RB-4BSL

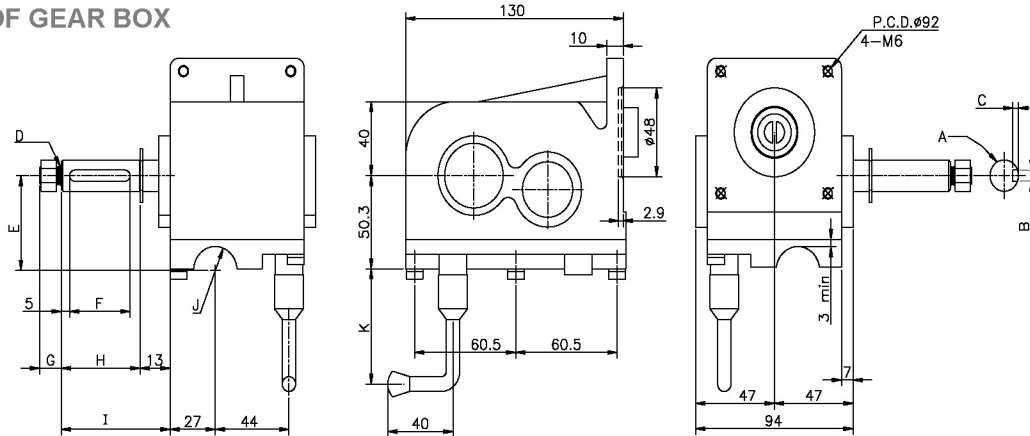
GEAR BOX OUTLINE

	φ 17	φ 17	φ 17	φ 17	φ 17
A	φ 17	φ 17	φ 17	φ 17	φ 17
B	6	6	5	5	5
C	3.5	3.5	3	3	3
D	M10 X P1.25	M10 X P1.25	M10 X P1.25	M10 X P1.25	M10 X P1.25
E	51.3	51.3	51.3	51.3	51.3
F	36	36	35	35	25
G	13	13	14.7	14.7	14.7
H	47	47	48.3	48.3	38.3
I	60 65	60 65	64.5	64.5	47.8
J	φ 26	φ 26	φ 26	φ 26	φ 26
K	62.3	62.3	37	62.3	160
Arrange the pole model	L type	L type	Connecting rod type	L type	L type
Gear Ratio	21:1	32:1	32:1	32:1	32:1

● To customize motors, please contact with us or our agent.

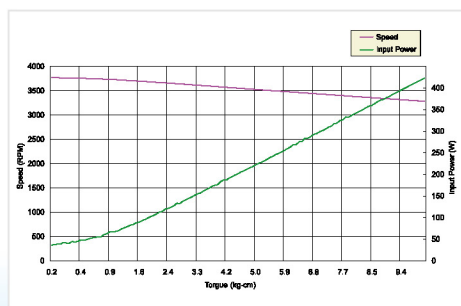
● To customize motors, please contact with us or our agent.

DIMENSION OF GEAR BOX



PERFORMANCE CURVE

ME082112-01



ME082112-04

