



ELECTRICAL VEHICLE SERIES

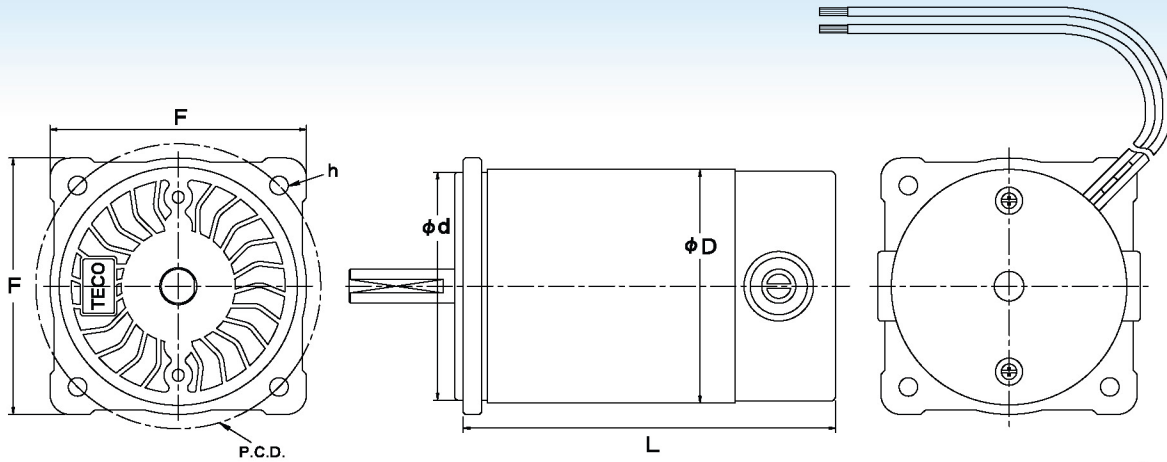
SPECIFICATION

Model		EV063106	EV071055	EV082087		EV082112		
		01	01	01	02	01	02	03
Rated Voltage (V)		24.5	24.0	24.0	24.5	24.5	24.5	24.0
No Load Current (A)		1.6	1.8	3.0	3.1	3.1	4.0	4.0
No Load Speed (rpm)		4950	3600	4450	4700	4200	4600	5100
Rated Point	Torque (kg-cm)	3.5	5.5	5.0	5.0	8.0	7.5	8.0
	Current (A)	8.0	9.5	10.5	10.5	15.0	15.0	19.0
	Speed (rpm)	4350	3450	3900	4200	3800	4200	4550
	Power (W)	156	195	200	216	312	324	374
Max. Output Power	Torque (kg-cm)	20.0	59.5	26.5	28.0	40.0	43.0	32.0
	Current (A)	52.0	94.0	48.0	52.5	71.0	81.0	70.0
	Speed (rpm)	2300	1800	2150	2300	2100	2300	2600
	Power (W)	472	1100	585	661	863	1016	854
Noise (dB)		65dB / (Background 45dB)						
Insulation Classification		F Class (150°C)						
Operating Temperature		-10~40°C						
Weight (kg)		1.5	1.6	2.6		3.5		

Model		EV082137		EV105112	
		01	02	01	02
Rated Voltage (V)		24.5	24.5	24.5	24.5
No Load Current (A)		3.5	5.5	6.5	8.1
No Load Speed (rpm)		3750	5850	5450	7150
Rated Point	Torque (kg-cm)	9.0	9.0	13.0	8.5
	Current (A)	15.5	23.0	32.0	32.0
	Speed (rpm)	3300	5300	5000	6800
	Power (W)	305	490	668	594
Max. Output Power	Torque (kg-cm)	43.0	44.5	76.0	69.0
	Current (A)	62.5	103.0	182.0	220.0
	Speed (rpm)	1850	2950	2700	3600
	Power (W)	817	1348	2107	2551
Noise (dB)		65dB / (Background 45dB)			
Insulation Classification		F Class (150°C)			
Operating Temperature		-10~40°C			
Weight (kg)		4.0		5.5	

● To customize motors, please contact with us or our agent.

DIMENSION



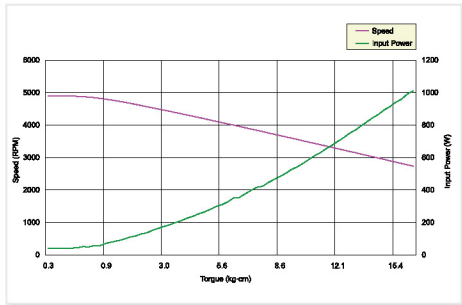
[unit:mm]

Model	EV063	EV071	EV082087		EV082112			EV082137		EV105112	
	01	01	01	02	01	02	03	01	02	01	02
ϕD	63.5	71	80	82	82	82	82	82	82	105	105
L	117	101	130.8	130	155	155	155	180	180	166.2	166.2
ϕd	35	83	83	77	77	77	77	77	77	77	77
$P.C.D.$	77	103	103	100	100	100	100	100	100	120	120
h	7.0	7.0	6.5	9	9	9	9.2	9	9	9	9
F		90	90	90	90	90	89.5	90	90	115	115

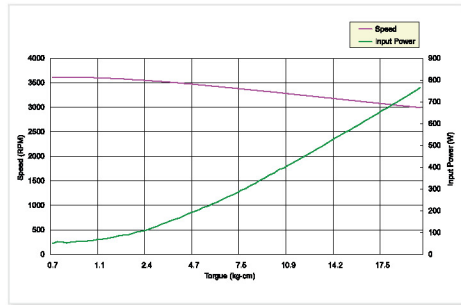
● To customize motors, please contact with us or our agent.

PERFORMANCE CURVE

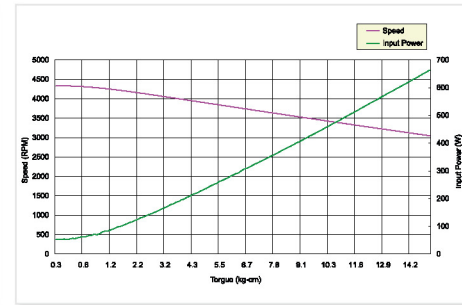
EV063106-01



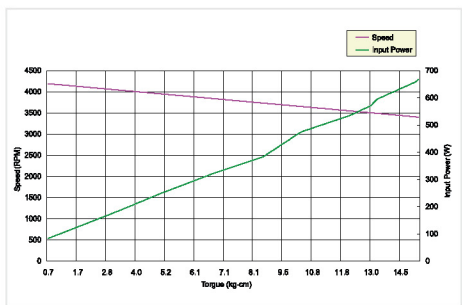
EV071055-01



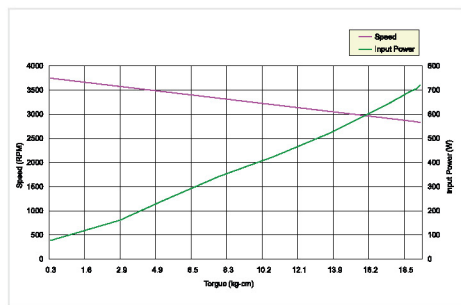
EV082087-01



EV082112-01



EV082137-01



EV105112-01

